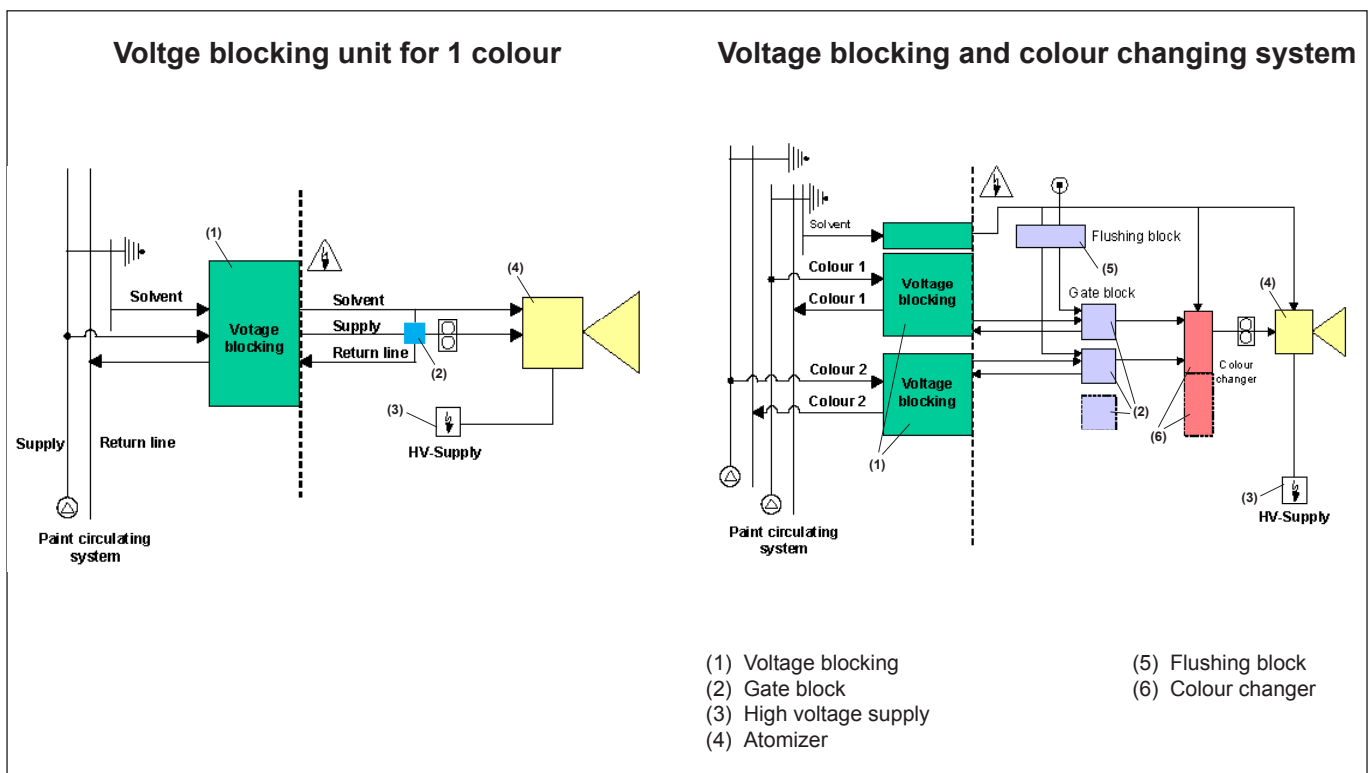


# CIRCBLOCK

## Voltage blocking and colour changing system



### Continuous paint flow of water borne paints for higher transfer efficiency

This system is an integrated part of an electrostatic spray application process where highly conductive materials are transferred from an earthed supply system to a direct charged atomizer.

The CIRCBLOCK system uses the principle of voltage drop over a certain length and diameter based on the specific resistance of the material used. It consists of one flushing unit and a CIRCBLOCKS with flow and return lines for each colour used. It allows circulation of the material up to the atomizer or colour change units.

### Features

The Voltage blocking and colour changing system has following highlights:

- Maintenance friendly
- Continuous paint supply, with/without circulation for nonstop operation
- Retrofit to existing systems, less place need
- No additional personnel protection device required, flow and return lines grounded
- Material supply from paint lines or tank during operation



PERFECT FINISH – PAINTED BY THE SPECIALIST.

## Technical Data

### **CIRCBLOCK – Voltage blocking and colour changing system**

Flow quantity:	max. 2000 ml/min.
Input pressure:	13 - 18 bar
Output pressure:	4 - 8 bar
Voltage range:	till 70 kV
Current:	till 7 mA
Dimensions:	1.000 x 500 x 400 mm
Weight:	approx. 40 kg